

Quick Reference Notes - **Daily Care**

簡易操作 - **日常保養**

ApeosPort® - VII C4421 / C3321

CONTENTS

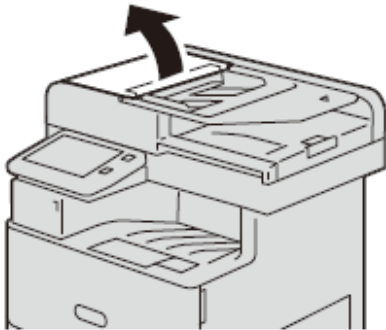
目錄

| | | |
|-----|---|---|
| 1 | Clear Paper Jam 夾紙排解..... | 2 |
| 1.1 | Duplex Automatic Document Feeder / 自動雙面送稿裝置 | 2 |
| 1.2 | Tray 1 and Tray 5/ 紙盤 1 及紙盤 5 | 3 |
| 1.3 | Fusing Unit/ 熔著部組件..... | 4 |
| 2 | Replacing Toner 更換碳粉匣..... | 5 |
| 3 | Replacing Waste Toner Container 更換碳粉回收匣..... | 6 |

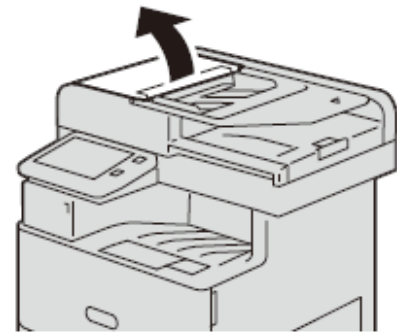
1 CLEAR PAPER JAM 夾紙排解

1.1 DUPLEX AUTOMATIC DOCUMENT FEEDER / 自動雙面送稿裝置

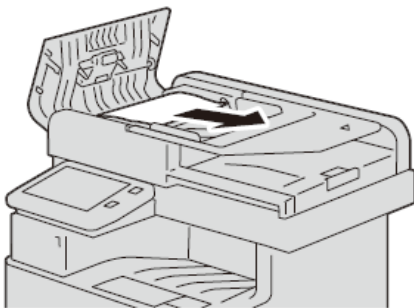
1. Open the document feeder left cover until it stops.



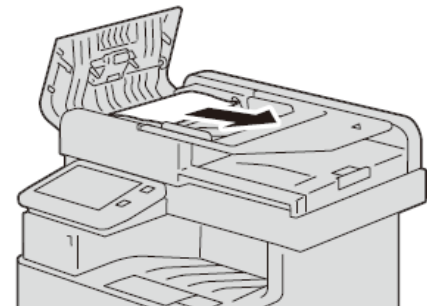
1. 向上拉起自動送稿裝置左蓋把手，將左蓋完全打開。



2. If the original is not caught in the entry of the document feeder, pull out the



2. 若原稿並未卡在送稿裝置的入口，將原稿抽出。



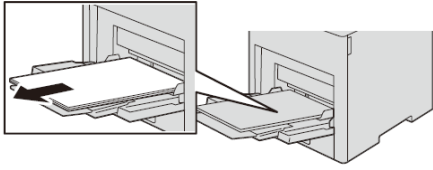
original.

3. Make Sure that the original is not torn, wrinkled or folded, and then load the original again following the instructions displayed on the touch screen.

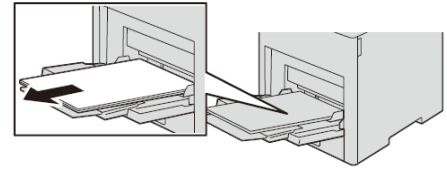
3. 確定原稿是否未撕破、起皺或摺疊，再依照觸控式顯示面板中的指示重新方入原稿。

1.2 TRAY 1 AND TRAY 5/ 紙盤 1 及紙盤 5

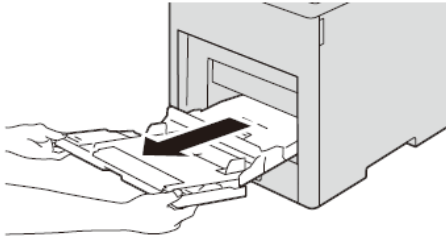
1. Remove any paper from the Tray 5.



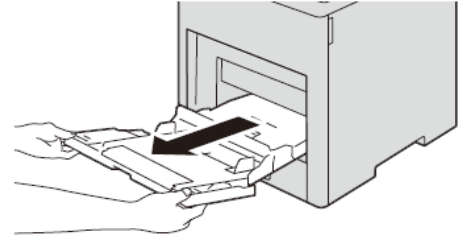
1. 移除紙盤 5 上面的紙張。



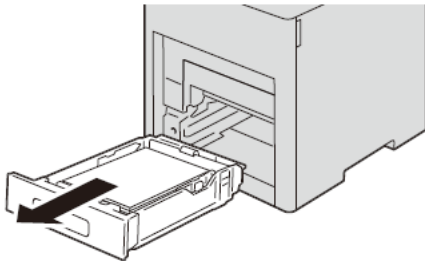
2. Pull Tray 5 out of the main unit.



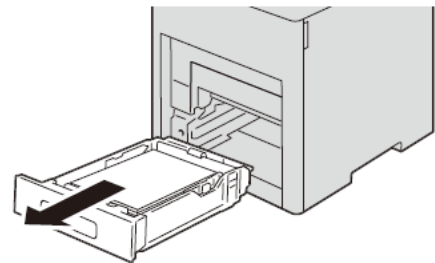
2. 把紙盤 5 從機身拉出。



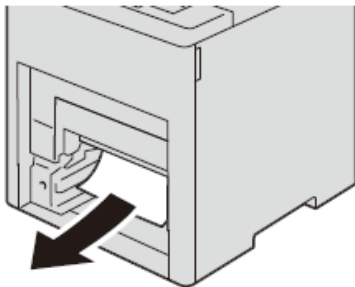
3. Pull Tray 1 out of the main unit.



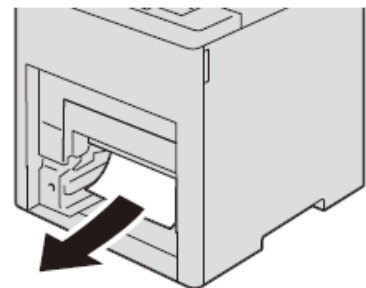
3. 把紙盤 1 從機身拉出。



4. Remove any paper jammed in the device interior.



4. 把裝置內的卡紙移除。

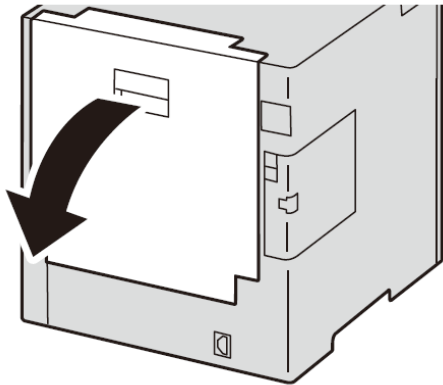


5. Insert Tray 1 and Tray 5 into the main unit completely.

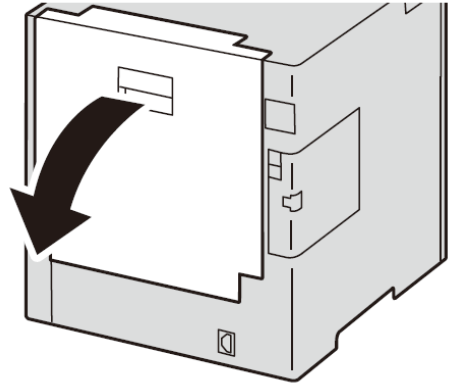
5. 把紙盤 1 及紙盤 5 正確插入機身內。

1.3 FUSING UNIT/ 熔著部組件

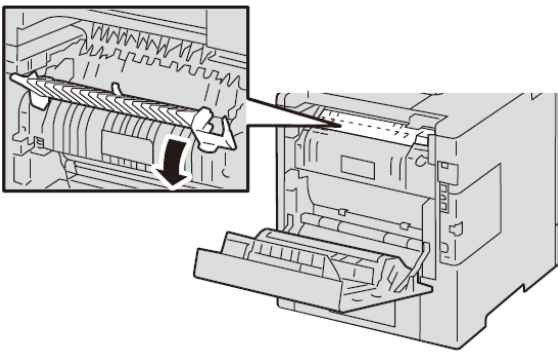
1. Lift the rear door release and pull open the door.



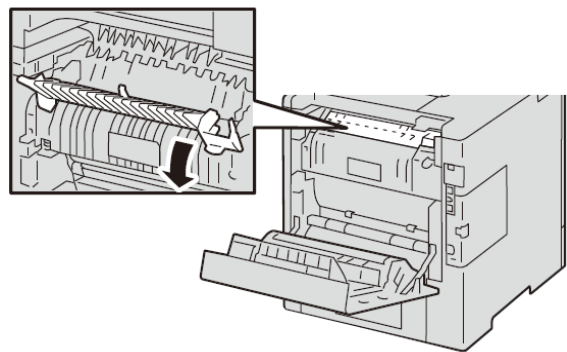
1. 提起後蓋拉桿，拉開後蓋。



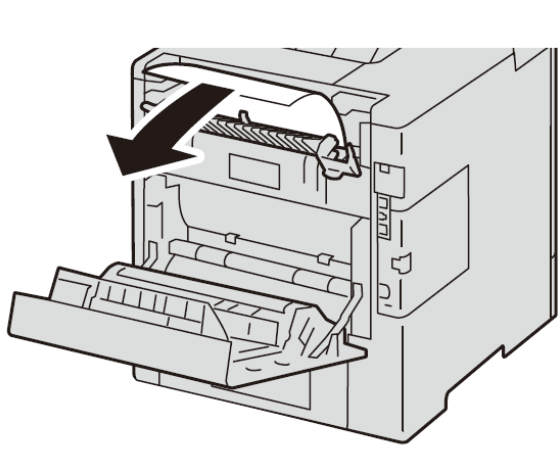
2. Open the green tab of the fusing unit.



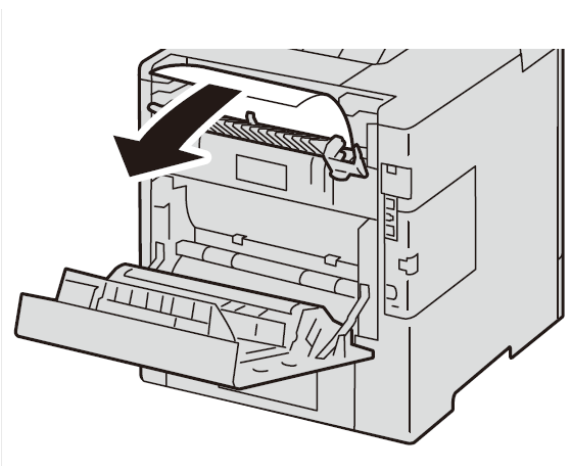
2. 打開定影組件的綠色把手。



3. Remove any jammed paper.

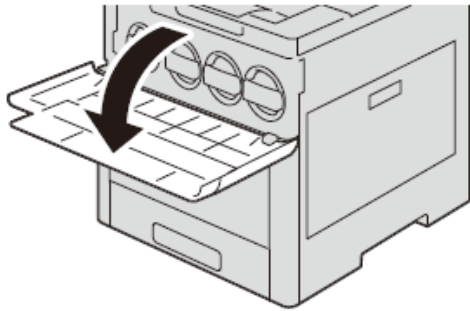


3. 取出任何卡住的紙張。

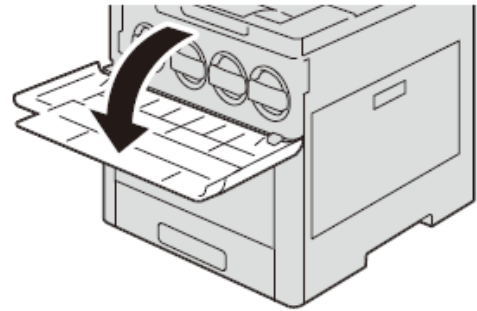


2 REPLACING TONER 更換碳粉匣

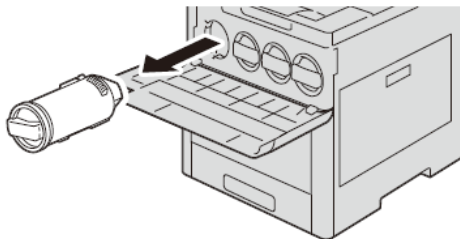
1. Make sure that the device is not operating, and open the front door.



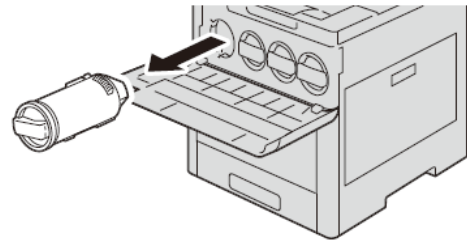
1. 先確定裝置已經停止運作，然後開啟前蓋。



2. Pull out the toner cartridge slowly.



2. 慢慢拉出碳粉卡匣。



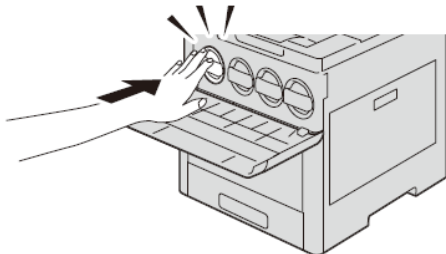
3. Shake the new toner cartridge gently.



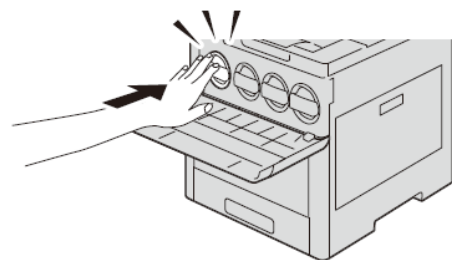
3. 輕輕搖晃新碳粉卡匣。



4. Hold the cartridge with the arrow facing up, and insert the cartridge slowly.



4. 把碳粉卡匣的箭咀標誌向上，然後慢慢地插入卡匣。

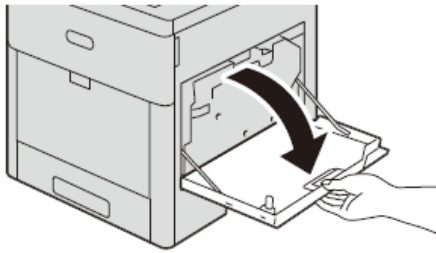


5. Close the front door.

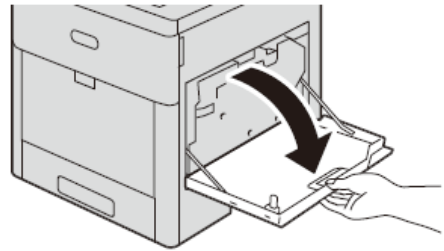
5. 關上前蓋。

3 REPLACING WASTE TONER CONTAINER 更換碳粉回收匣

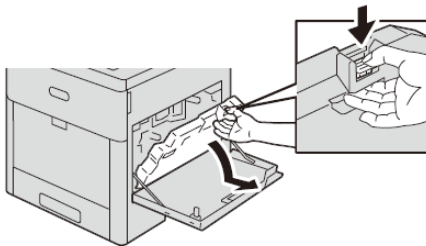
1. Make sure that the device is not operating, and open the right door.



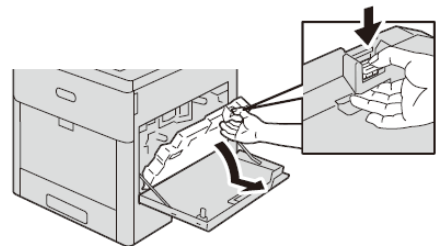
1. 先確定裝置已經停止運作，然後開啟右蓋。



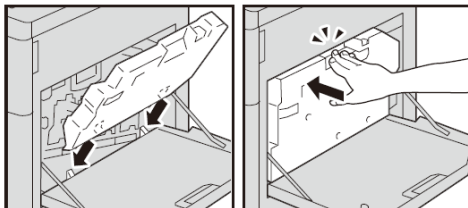
2. Take out the waste toner container from the device.



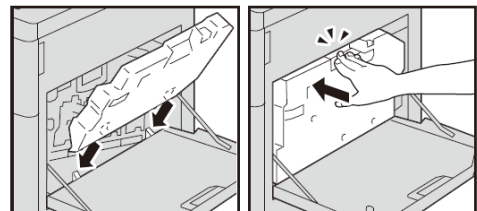
2. 把碳粉回收匣從裝置中取出。



3. Put the new waste toner container into the device properly.



3. 把新的碳粉回收匣正確地裝回裝置內。



Customer Support Center

2513-2513